

Open Spring Damper Unit

Type OSD2

licensed in 1992 by

**CHRISTIE
& GREY**



SYSTEM MASS - up to several hundred tonnes

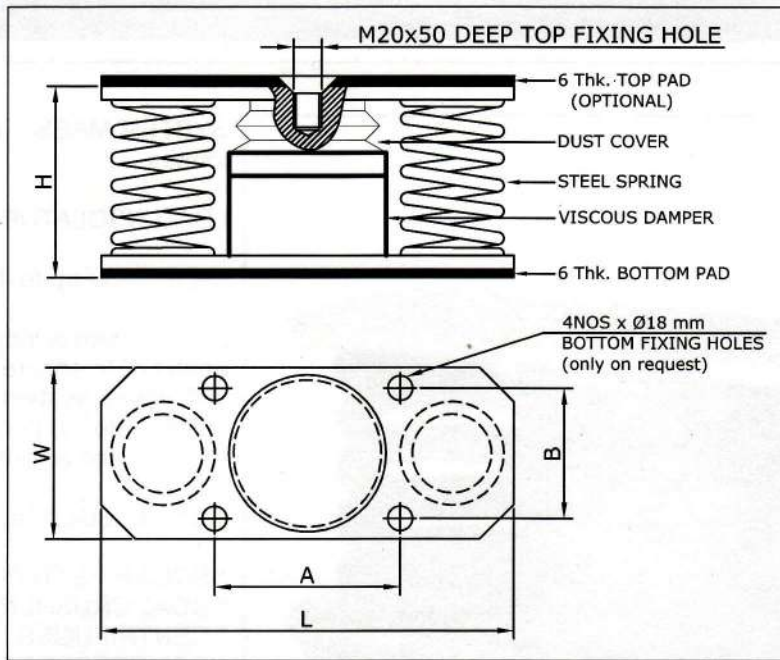
LOAD / ISOLATOR - up to 100 Tons

DAMPING - up to 40% of Critical Damping

Each system is individually designed and analyzed to ensure that the correct spring stiffnesses, system damping and masses are provided to permit proper operation of the mounted equipment.

ACTIVE ISOLATION OF :

- * BOILER FEED PUMPS
- * COAL CRUSHERS
- * CENTRIFUGES
- * COMPRESSORS
- * D.G. SETS
- * ENGINE TEST BEDS
- * FANS & BLOWERS
- * FORGING HAMMERS
- * FRAGMENTIZERS
- * POWER PRESSES
- * PILE DRIVERS
- * PULVERIZERS
- * ROLLING MILLS
- * TURBINES BALL MILLS
- * TURBO GENERATORS



CODE NO.	COLOUR CODE	LOAD RANGE KGS	DEFLECTION ± 15% mm	APPROX. DIMENSION				
				L	W	H	A	B
OSD2-25/400	RED	80-400	5-25	300	125	140	135	95
OSD2-25/600	PURPLE	120-600	5-25					
OSD2-25/800	GREY	160-800	5-25					
OSD2-25/1000	ORANGE	200-1000	5-25					
OSD2-25/1200	BROWN	240-1200	5-25					
OSD2-25/1400	ORANGE/BLACK	280-1400	5-25					
OSD2-25/1600	BROWN/BLACK	320-1600	5-25					
OSD2-25/2000	BLACK/BLACK	400-2000	5-25					
OSD2-25/3900	GREY	2300-3900	5-25	450	150	187	150	120
OSD2-25/4100	BROWN	2400-4100	5-25					
OSD2-50/200	YELLOW	40-200	10-50	300	125	140	135	95
OSD2-50/400	GREEN	80-400	10-50					
OSD2-50/600	BLUE	120-600	10-50					
OSD2-50/800	WHITE	160-800	10-50					
OSD2-50/1000	RED/BLACK	200-1000	10-50					
OSD2-50/1500	BLACK/GREY	300-1500	10-50	450	150	187	150	120
OSD2-50/2000	BLACK/ORANGE	400-2000	10-50					
OSD2-50/2600	BLACK/BROWN	520-2600	10-50					

Authorised Distributor :

RENUKA
SALES CORPORATION

209, Masjid Moth, 316, 3rd Floor South Ex Plaza II, N.D.S.E.II New Delhi-110049

Tel. : 011-26257262 , 011-41645670

Email ID : renukasalescorporation@gmail.com, renukaji@rediffmail.com