

Rubber Joints with Floating Flanges

Style SRSA

Single Sphere

SPHERICAL



DESIGN

Moulded Rubber Joint with a single **SPHERICAL SHAPED** arch is self cleaning and allows pressure to exert uniformly in all directions thus reducing the force exerted on equipments & pipe lines.

The construction combines elastic properties of rubber with nylon cord fabric reinforcement and is integrated with steel Floating Flanges to provide a flexible pipe joint. The Sealing surfaces provide a fluid and gas tight seal.

IDEAL as a PUMP CONNECTOR

Most widely used world over to protect pumps. It provides the greatest pressure, temperature and movement. Its resiliency helps control pulsation shocks and noise transmission.

ADVANTAGES

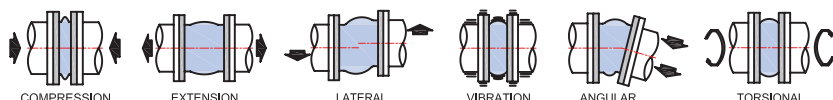
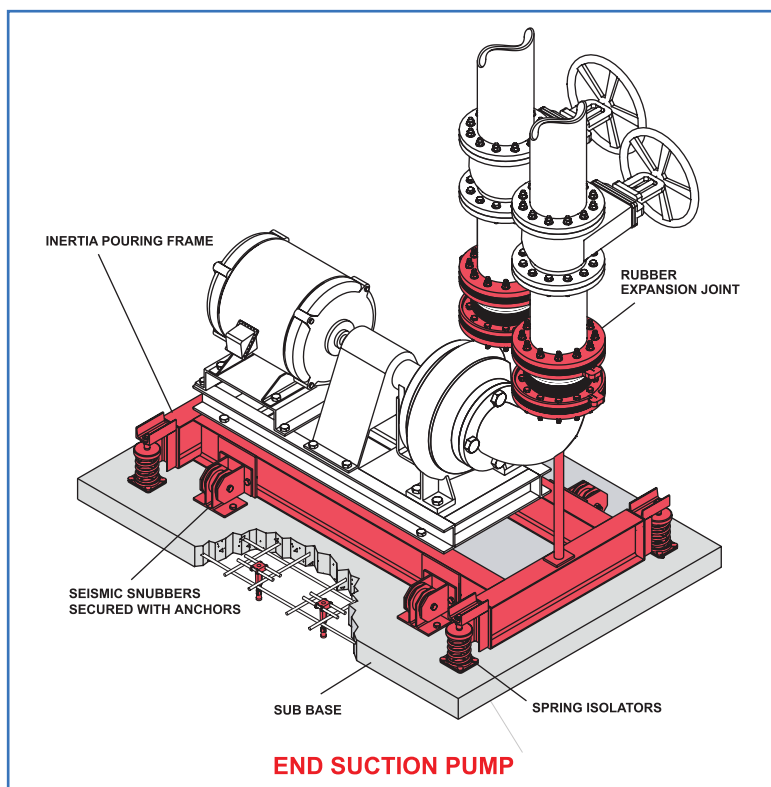
- WIDE FLOWING ARCH. Virtually eliminates sediment build up
- FLOATING FLANGE eases Installation
- COMPENSATES FOR AXIAL, LATERAL, TORSIONAL AND ANGULAR MOVEMENTS Due to thermal changes & misalignment
- ISOLATES VIBRATIONS, DAMPENS NOISE AND PRESSURE SURGES
- SUITABLE FOR SUCTION AND DISCHARGE

APPLICATIONS

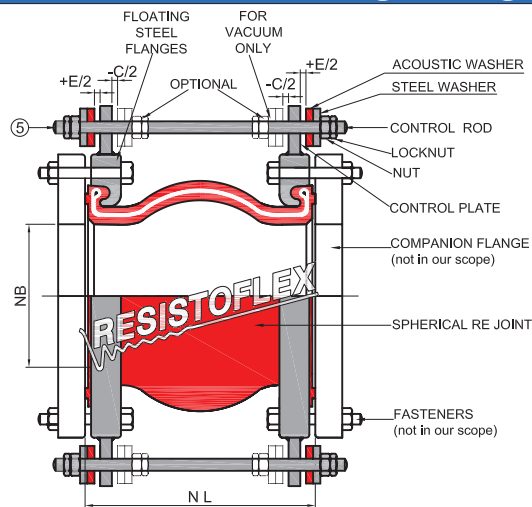
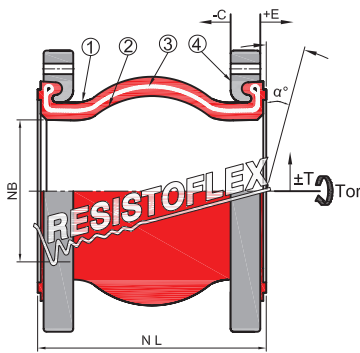
For use in Plumbing, HVAC & Air systems in:

- RESIDENTIAL HOUSES
- COMMERCIAL BUILDINGS
- INDUSTRIAL PLANTS
- SEWAGE TREATMENT PLANTS
- CHEMICAL PLANTS
- POWER PLANTS
- MARINE SYSTEMS

For **BIG RELIEF** from **STRESSES AT PIPE FLANGES**



RESISTOFLEX
SINCE 1947
Rubber Expansion Joints



CAUTION :
After installation
Control Units
require setting
at site for
E/2 and C/2

REJ for anchored / guided pipelines

REJ with Control Units for all other lines

CONSTRUCTION		
S.No.	COMPONENT	MATERIAL
1	Outer Cover	EPDM / Synthetic Rubber
2	Inner Lining	EPDM / Synthetic Rubber
3	Carcass	Nylon Cord Fabric
4	Floating Flanges	Mild Steel
5	Control Unit	Mild Steel
Conveying Medium	Standard	Water, Sea Water, Acid, Alkali, Compressed Air etc.
	Optional	Oils, Hydraulic Oil, Hot Water

DESIGN CONDITIONS					
TYPE		PN 2.5	PN 10	PN 16*	PN 25*
Maxm. Working Pressure	Kgf/cm ²	2.5	10	16	25
Design / Test Pressure	Kgf/cm ²	3.8	15	24	38
Vacuum	mm Hg	250	400	650	750
Flange Drillings	Standard	IS 6392	BS 10 D	BS 10 E	IS 6392
	Optional	ASME B16.5/BS 4504/ISO 7005/EN 1092			
Temperature	°C	-10° to +70°C (Optional -20° to +110°C)			

* Control Units Recommended 1 bar = 0.1 Mpa = 1 Kg/cm² = 14.5 psi

TECHNICAL CHARACTERISTICS

CODE	DIMENSIONS		MAXIMUM ALLOWABLE MOVEMENTS (Not Simultaneous)			
	NOMINAL BORE	NEUTRAL LENGTH	AXIAL ELONGATION	AXIAL COMPRESSION	TRANSVERSE DEFLECTION	ANGULAR MOVEMENT
	NB (mm)	NL (mm)	+ E (mm)	- C (mm)	± T (mm)	α°(Deg.)
REJ-SRSA-0020	20	150	5	8	8	15°
REJ-SRSA-0025	25	150	5	8	8	15°
REJ-SRSA-0032	32	150	6	9	9	15°
REJ-SRSA-0040	40	150	6	10	9	15°
REJ-SRSA-0050	50	150	7	10	10	15°
REJ-SRSA-0065	65	150	7	13	11	15°
REJ-SRSA-0080	80	150	8	15	12	15°
REJ-SRSA-0100	100	150	10	19	13	15°
REJ-SRSA-0125	125	150	12	19	13	15°
REJ-SRSA-0150	150	150	12	20	14	15°
REJ-SRSA-0200	200	150	16	25	22	15°
REJ-SRSA-0250	250	200	16	25	22	15°
REJ-SRSA-0300	300	200	16	25	22	15°
REJ-SRSA-0350	350	200	16	25	22	15°
REJ-SRSA-0400	400	200	16	25	22	15°
REJ-SRSA-0450	450	200	16	25	22	15°
REJ-SRSA-0500	500	200	16	25	22	15°
REJ-SRSA-0600	600	250	16	25	22	15°

- Suffix CU for REJ with Control Units
- Consult Resistoflex for special sizes, end connections, conveying medium, operating Conditions

Authorised Distributor :

RENUKA

SALES CORPORATION

209, Masjid Moth, 316, 3rd Floor South Ex Plaza II, N.D.S.E.II New Delhi-110049

Tel. : 011-26257262 . 011-41645670

Email ID : renukasalescorporation@gmail.com, renukaji@rediffmail.com